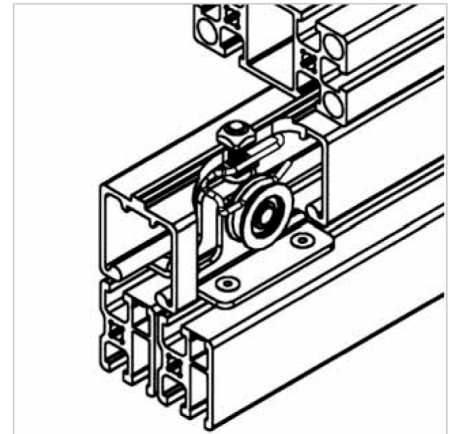
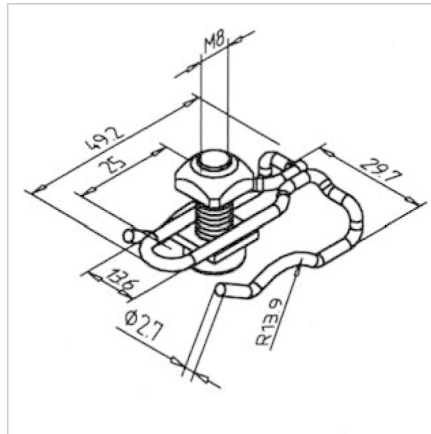
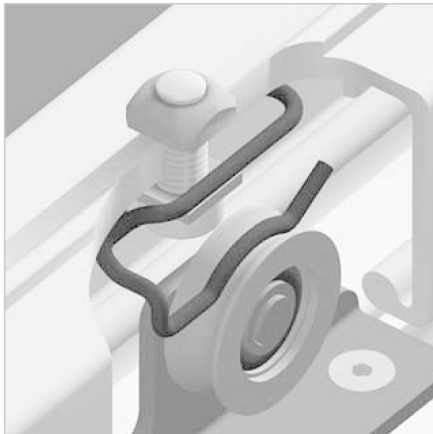


STOP SLIDING DOOR K

Code: 212019/0

Sliding door locks securely hold doors in open and closed end positions, ensuring safe and reliable operation in various applications.

[Link to the product →](#)



Technical data/items supplied

- Stainless steel
- Spring steel wire
- With fastening material steel, zinc plated
- Weight = 0.026 kg/piece

Applications

- Interlock sliding doors in their end positions (open / closed)

Assembly

- Mark the end position of the roll
- Bore drill Ø 8,5 m in sliding door profile
- Screw into rail with carrier profile using mounting kit included