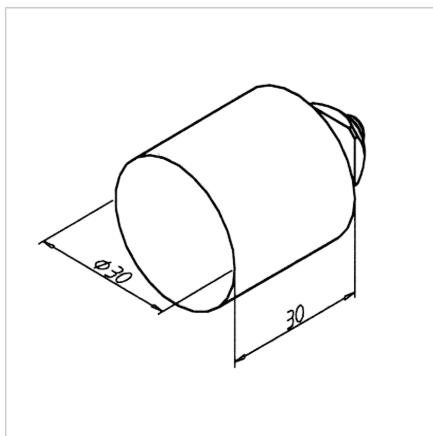


STOPPER 30

Code: 211759/1

Stopper for doors provides safe and quiet door stopping, prevents damage, and extends the lifespan of aluminum constructions.

[Link to the product →](#)



Technical data/items supplied

- NBR, black
- With fastening material steel, zinc plated
- With sliding nut M6
- Weight = 0.060 kg/piece

Applications

- Stop for doors, linear guides

Assembly

- Fix with square nut M6 in profile groove