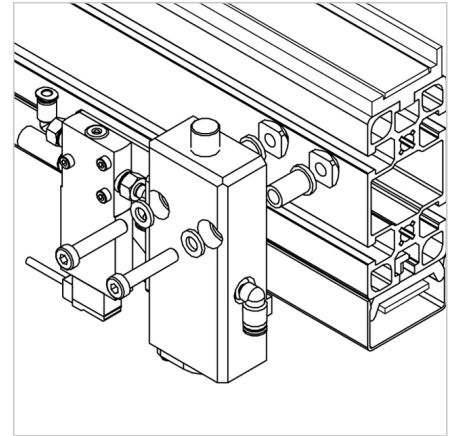
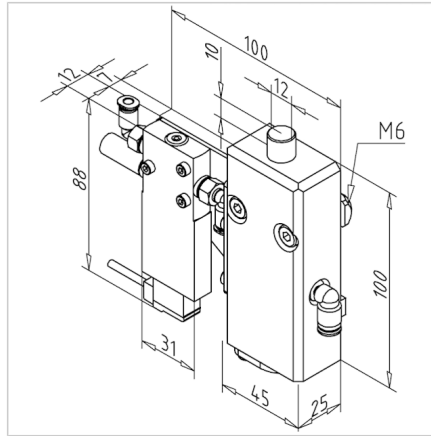


STOPPER

Code: 431510/0

[Link to the product →](#)



Technical data/items supplied

- Pneumatically actuated
- Housing PE, black
- Fixing pins \varnothing 12 mm made of stainless steel, hardened
- Prepared for connection to internal air supply
- Cylinder and valves integrated
- Fastening kit
- Weight = 0.482 kg/piece

Applications

- Separation of workpiece trays before infeed and discharge, lift or lift stations
- Control of priorities in WT flow

Assembly

- Tighten on the inner side of the conveyor line at the top profile groove
- Make connection to air supply
- Position can be adjusted horizontally
- Separation of tray's by combination of 2 stoppers