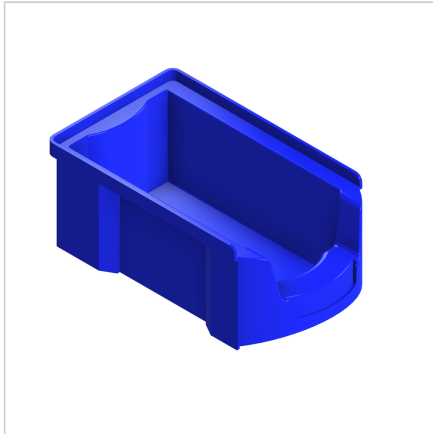


STORAGE BOX BLUE 360 X 210 X 147

Code: 320540/0

Blue screw box allows clear labeling, safe stacking, portability, and easy organization of small parts.

[Link to the product →](#)



Technical data/items supplied

- PE
- Optimal overview and convenient access to the content
- Large handles on the front and back for easy handling
- Very dimensionally stable
- Resistant to most acids and oils
- Temperature resistant (-20 ° to + 80 ° C)
- Weight = 0.598 kg/piece

Applications

- Provision of small parts, screws, nuts ect. at assembly workstations
- Ergonomic workplace systems

Assembly

- View storage boxes with storage box holder, 1-fold **part no. 320509/0** or with storage box holder, multiple **part no. 320532/0** attach to tool holding plate or carrier