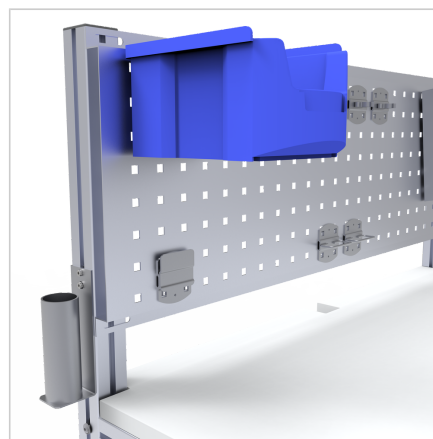
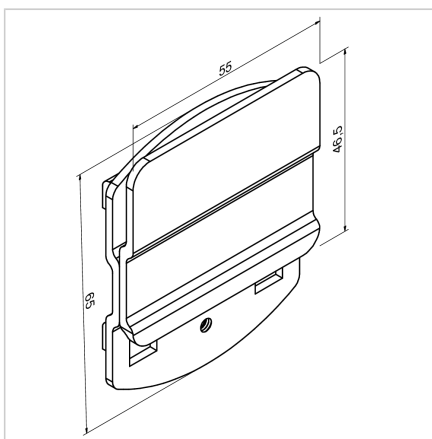


STORAGE BOX HOLDER, 1 COMPARTMENT FOR BOX DIMENSIONS 7 + 8

Code: 320509/0

Tool and screw box holder ensures better organization, space optimization, and improved workstation arrangement.

[Link to the product →](#)



Technical data/items supplied

- Steel, galvanized
- Aluminum colored
- Plastic coated
- Individually packaged incl. screws
- Weight = 0.103 kg/piece

Applications

- Max. material thickness for hanging 4 mm

Assembly

- Hook in the carrier plate and secure with the enclosed screw