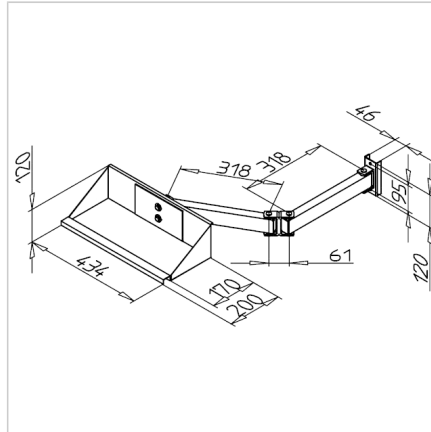


STORAGE BOX HOLDER WITH DOUBLE JOINT SWIVEL CANTILEVER

Code: 320516/0

Movable holder allows easy repositioning of tool boxes, flexible layout, and quick access to small parts.

[Link to the product →](#)



Technical data/items supplied

- Steel, powder-coated, grey
- Fastening material
- Front handle bar
- With double articulated arm 700 mm long
- Load capacity 150 N
- Weight = 4.300 kg/piece

Applications

- As storage area for semi open front containers and semi open front container racks

Assembly

- Installation on the vertical strut of the portal structure
- Optional: in ESD-design **part no.** [320516/6](#)