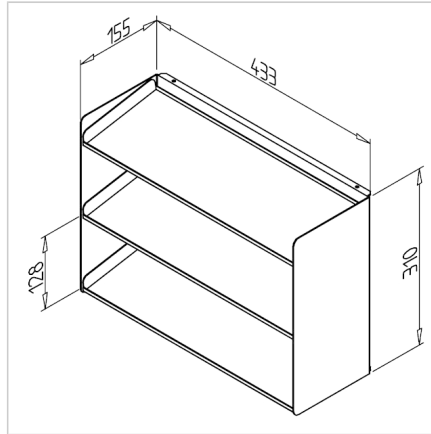


STORAGE BOX SHELF ESD

Code: 320514/6

ESD storage racks provide stable storage, adjustable layout, and enhances workstation ergonomics.

[Link to the product →](#)



Technical data/items supplied

- Steel, powder-coated, grey
- 3 levels
- Weight = 3.800 kg/piece

Applications

- For semi open front containers and small hardware
- For max. 12 semi open front containers, L= 165 mm, W= 105 mm, H= 75 mm

Assembly

- Fasten to the portal structure
- Freestanding or in combination with box holder **part no. 320516/0** swiveling