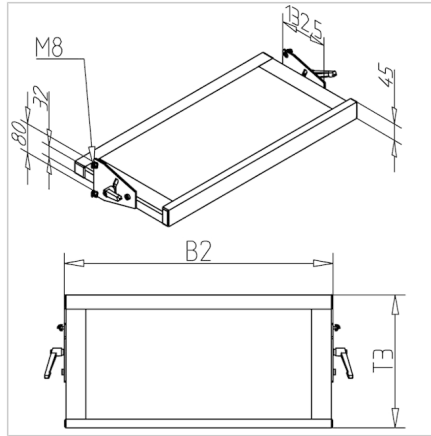
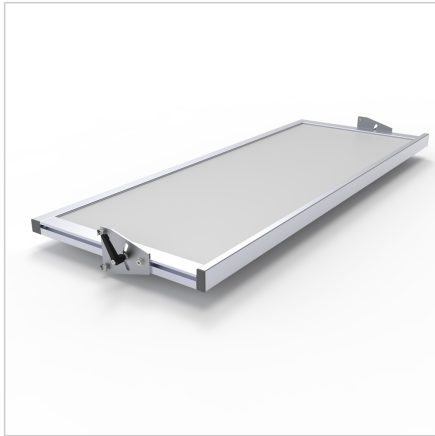


STORAGE CONSOLE WITH CLAMPING LEVER

Code: 320501/0

[Link to the product →](#)



Technical data/items supplied

- Sturdy frame made of aluminum profiles anodized E6 / EV1
- Shelf for cabinet, chipboard, light grey
- Front edge 13 mm raised edges
- **Please state table width B2 and depth T3**
- Dimension B2 = installation width between posts
- Load capacity: 400 N

Applications

- Continuously inclinable from -30° to $+30^\circ$
- Rack is adjustable

Assembly

- Fastening with 2 swivel plates to the portal structure
- Without clamp lever **part no. 320501/1**