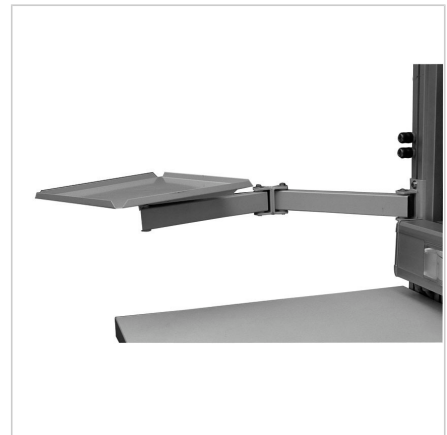
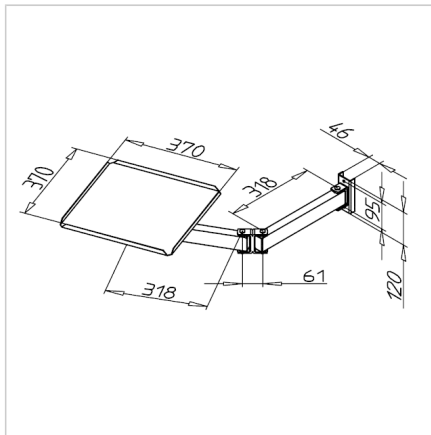
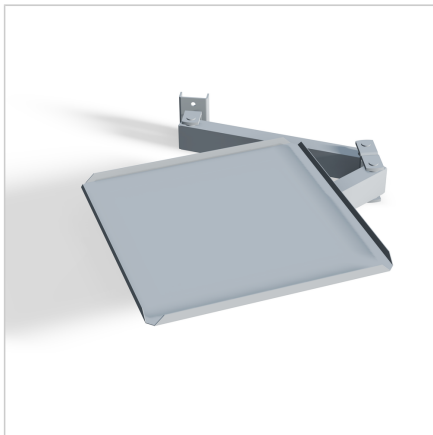


STORAGE SHELF/MONITOR SUPPORT ROTATABLE ESD WITH DOUBLE JOINT SWIVEL CANTILEVER

Code: 320512/6

Monitor and keyboard stand allows comfortable work, ergonomic positioning, and an organized workspace.

[Link to the product →](#)



Technical data/items supplied

- Monitor panel: 370 x 370 mm
- Weight = 4.200 kg/piece

Applications

- Provision of IT data, guidelines, Internet connection

Assembly

- Screw onto the portal structure