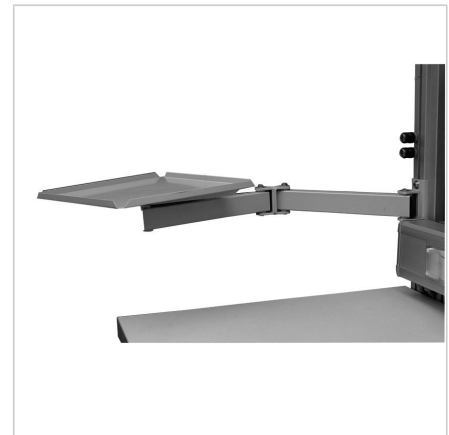
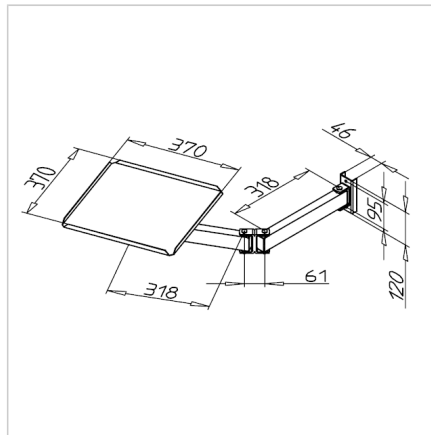
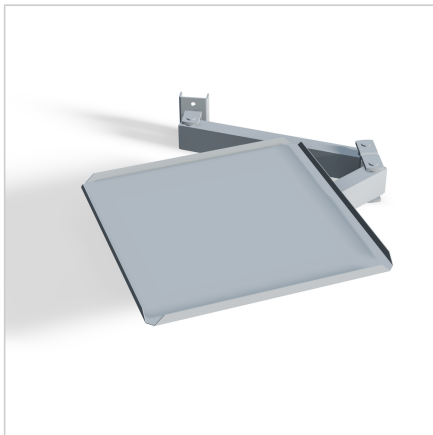


STORAGE SHELF/MONITOR SUPPORT ROTATABLE WITH DOUBLE JOINT SWIVEL CANTILEVER

Code: 320512/0

Monitor shelf with double link ensures stable support, easy rotation, and improved visibility.

[Link to the product →](#)



Technical data/items supplied

- Steel, powder coated, light grey
- Double joint design, length 430 mm
- Monitor and keyboard panel rotatable
- Monitor panel: 370 x 370 mm
- Load capacity 150 N
- Weight = 4.200 kg/piece

Applications

- Provision of IT data, guidelines, Internet connection

Assembly

- Screw onto the portal structure
- Optional as ESD version **Part no.** [320512/6](#)