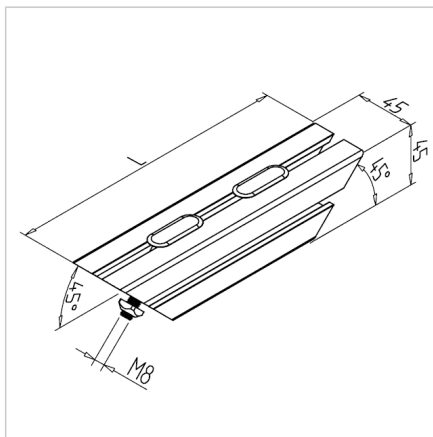


STRENGTHENING ELEMENT 45 SPECIAL DESIGN, LENGTH:

Code: 211761/5

Strengthening element 45 with special design for stable and robust reinforcement of profiled structural superstructures.

[Link to the product →](#)



Technical data/items supplied

- Aluminium, anodized E6/EV1
- Profile 45 x 45, ready for use
- Mitre cut, one-sided or both sides, with recess(es) cut for fastening material
- Fastening kit
- **Please state dimension L and additional left and right angle (within range of 27° - 63°). Ideally with a drawing or sketch.**

Applications

- Reinforcement of profiled superstructures according to the principle of truss construction

Assembly

- Screw on the profile groove of the frame construction with supplied hardware