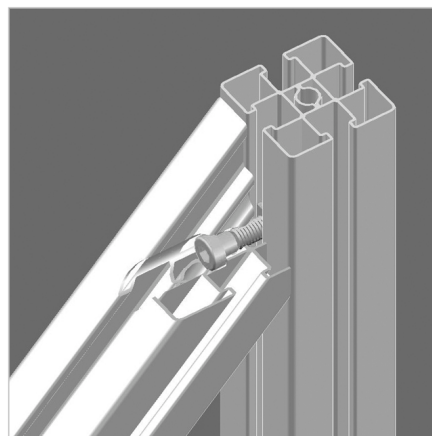
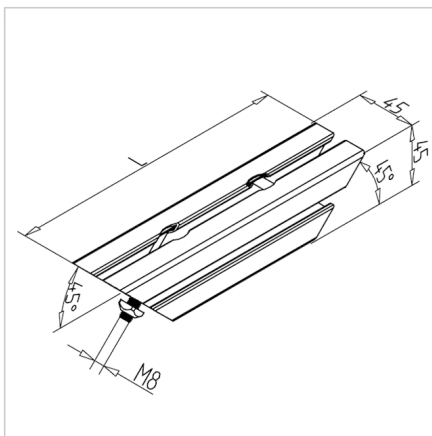


STRENGTHENING ELEMENT 45 VA L = 360 MM

Code: 211706/0

Strengthening element 45 made of stainless steel for enhanced strength and long-lasting stability in aluminium constructions.

[Link to the product →](#)



Technical data/items supplied

- Stainless steel
- Length (l) : 360 mm
- Profile 45x45 VA, ready for installation
- Both ends cut at 45° with counter-bores for fastening kit
- Fastening kit
- **Other lengths and designs under part no. 211761/5 on request**
- Weight = 0.890 kg/piece

Applications

- Reinforcement of profiled superstructures according to the principle of truss construction

Assembly

- Screw on the profile groove of the frame construction with supplied hardware