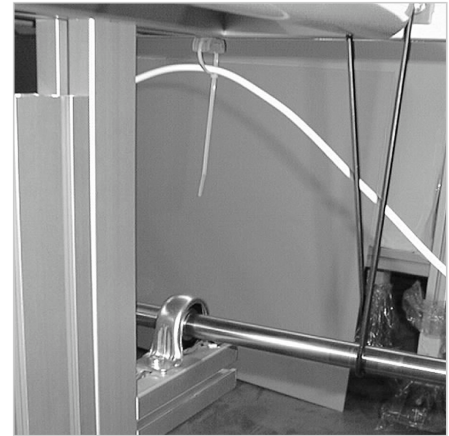
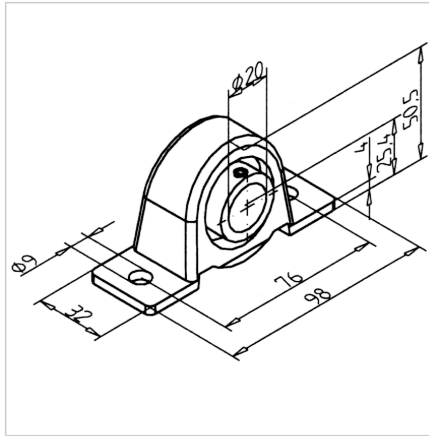
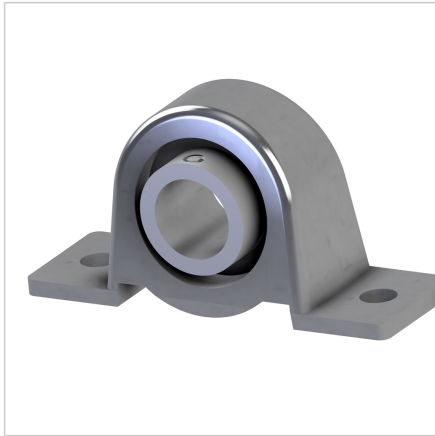


SUPPORT BEARING 20

Code: 500128/0

[Link to the product →](#)



Technical data/items supplied

- Pedestal bearing steel, galvanized
- Bore \varnothing 20 mm
- stat. C0 = 6350 N
- dyn. C = 13000 N
- With fastening material steel, zinc plated
- Weight = 0.210 kg/piece

Applications

- Production of roller tracks with drive in any length
- Drive of conveyor rollers via king shaft

Assembly

- With fastening material included
- Lead shaft trough bearing and secure with set screw