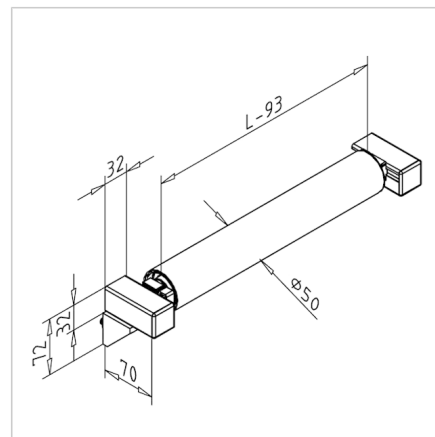
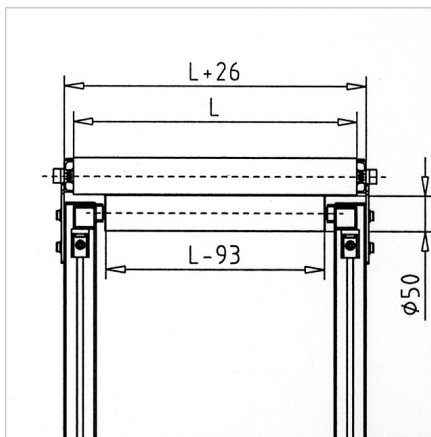
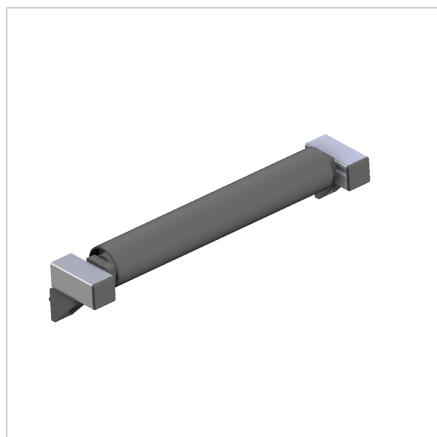


SUPPORT ROLLER CONVEYOR BELT L (BELT WIDTH) =

Code: 295002/0

[Link to the product →](#)



Technical data/items supplied

- With fastening material steel, zinc plated
- Support roller made of ABS tube
- Ball bearings on both sides
- Two holders from profile
- 2 mounting angles
- Max. tightening torque: 5 Nm
- **Please specify dimension L (belt width)**

Applications

- MiniTec belt conveyor system
- As a support for the lower side of long belt conveyors
- We recommend to install one support roller for each intermediate support on the belt conveyor
- Use this support roller kit only with belt width > 115 mm

Assembly

- Reassemble the roller mount from the profile to the conveyor supports
- Clip support roller into fastening kit
- Slide the roller in appropriate position and tighten the screws