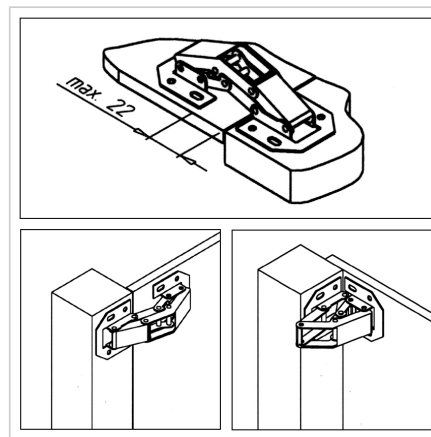
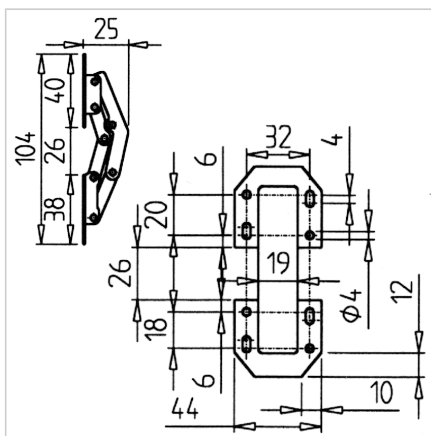


SWING-OUT HINGE

Code: 211187/0

Swing-out hinge for safety unit doors, enabling easy opening and closing with secure and reliable installation.

[Link to the product →](#)



Technical data/items supplied

- Steel, galvanized
- Load capacity up to 50 N
- Without fastening kit
- Weight = 0.080 kg/piece

Applications

- For lightweight doors
- In windows, measuring devices, safety devices
- Doors latch gap-free either overlying outside or flush inside

Assembly

- On profile grooves with screws M4 x 16 and square nut M4
- Direct fixation to panel element, screw length must thus be selected according to material strength
- Fastening directly on the profile surface