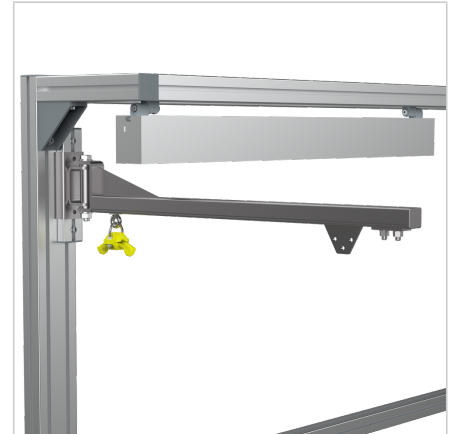
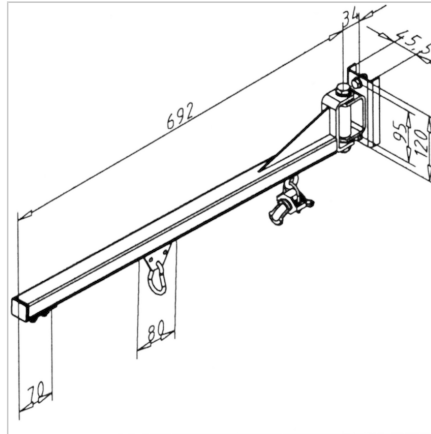


SWIVEL CANTILEVER C-RAIL 30 CONDUCTIVE

Code: 320230/6

Conductive C-profile 30 swivel arm provides reliable guidance, safe tool use, and ESD protection.

[Link to the product →](#)



Technical data/items supplied

- Steel
- 180° swiveling
- Equipped with tool trolley, cable holder (10-16), end stop and end cap
- Fastening material
- Length: 692 mm
- Load capacity: 200 N
- Weight = 2.310 kg/piece

Applications

- For compressed air and power tools

Assembly

- Slight slope to the rear, so that unused tool slides automatically from work area
- Fasten to the portal construction with supplied hardware