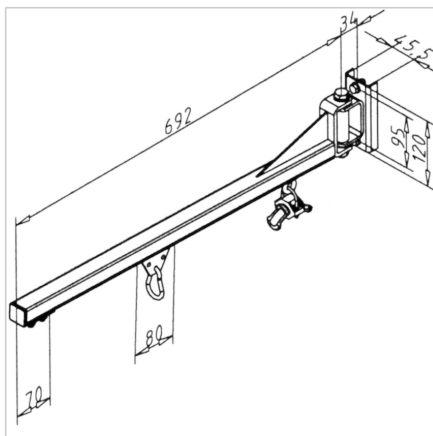


SWIVEL ARM, C-RAIL 30

Code: 320230/0

Swivel arm with C-profile 30 allows guidance and safe handling of power tools and compressed air tools, providing stable support during use.

[Link to the product →](#)



Technical data/items supplied

- Steel, powder-coated, grey
- 180° swiveling
- Equipped with tool trolley, cable holder (10-16), end stop and end cap
- Fastening material
- Length: 692 mm
- Load capacity: 200 N
- Weight = 2.310 kg/piece

Applications

- For compressed air and power tools

Assembly

- Slight slope to the rear, so that unused tool slides automatically from work area
- Fasten to the portal construction with supplied hardware
- Optional: as ESD design **part no.** [320230/6](#)