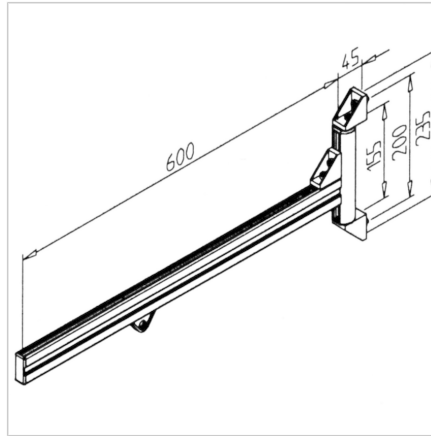


SWIVEL CANTILEVER ECO L = 600 MM

Code: 320201/0

[Link to the product →](#)



Technical data/items supplied

- Aluminium
- With inserted tool slider H
- Fastening material
- 200° swiveling
- Plain bearing
- Length: 600 mm
- Load capacity: max.= 100 N
- Weight = 1.100 kg/piece

Applications

- For compressed air and power tools

Assembly

- Fixing to portal with angle
- Fasten to the portal construction with supplied hardware