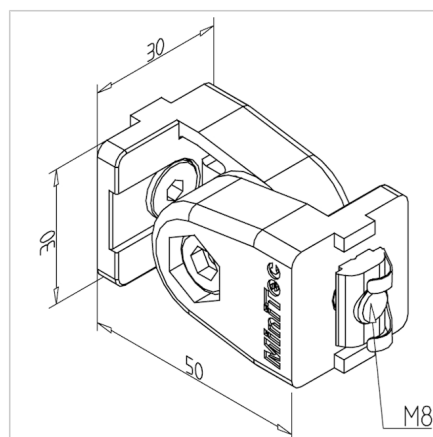
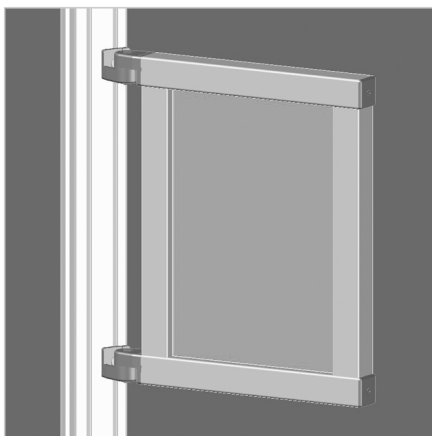


SWIVEL LINK 30 S

Code: 212222/0

Swivel joint 30 S enables rotational, reliable and strong connection of aluminium profiles for adaptable and long-lasting constructions.

[Link to the product →](#)



Technical data/items supplied

- Aluminium, Pressure die-casting, powder-coated, grey
- With low-friction sliding bearing
- With fastening material steel, zinc plated
- Locking device against torsion
- Weight = 0.100 kg/piece

Applications

- For the production of doors and flaps
- For the storage of movable add-on parts
- Not lockable

Assembly

- Attach the first joint half to the profile strut on the face side
- Fasten the second joint half to the supporting frame
- Screw both parts together on hinge point