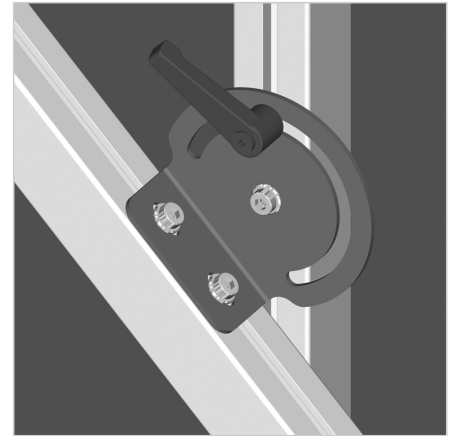
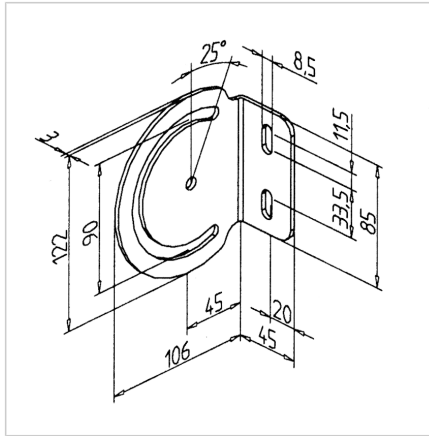
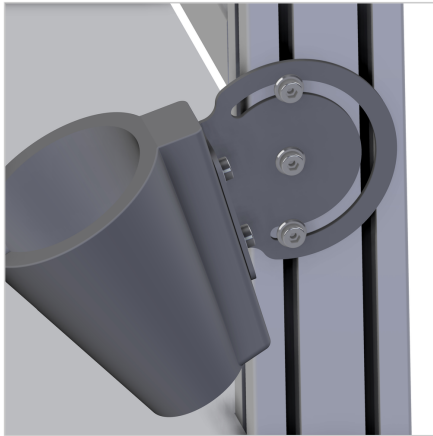


## SWIVELLING HOLDER POWDER COATED

Code: 263001/2

[Link to the product →](#)



### Technical data/items supplied

- Steel, powder-coated, grey
- Powder coated RAL 7012
- Weight = 0.283 kg/piece

### Applications

- For swiveling attachment of toolboxes, profiles or shelves

### Assembly

- With screws M8 x 16 or clamping lever and M8 sliding nut