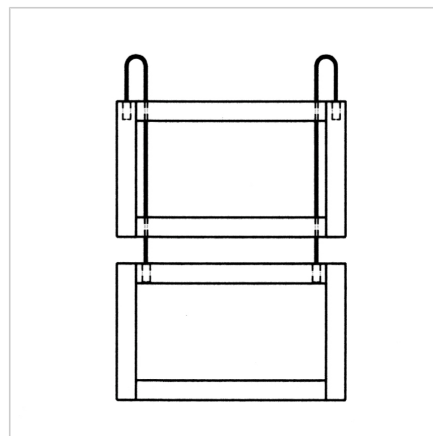
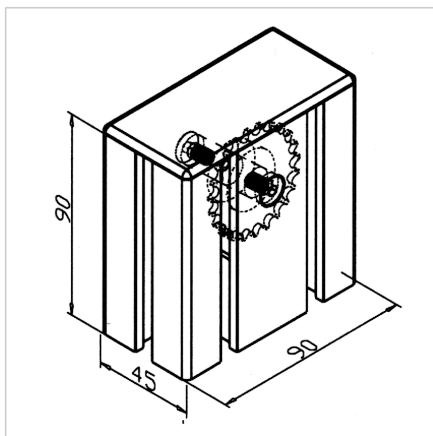
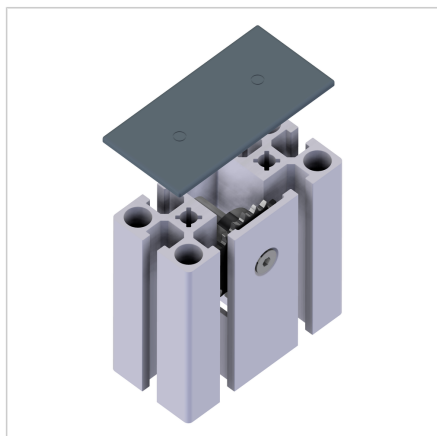


SYNCHRONOUS PULLEY

Code: 211792/0

Synchronous pulley 45 for coordinated movement of two lift doors with equal weight, ideal for smooth, simultaneous door operation.

[Link to the product →](#)



Technical data/items supplied

- Aluminium, anodized E6/EV1
- Housing from profile 45 x 90
- Sprocket galvanized steel, ready for installation
- Maximum weight of the lifting door with paired insertion of the pulley, 34kg
- Weight = 0.340 kg/piece

Applications

- Simultaneous opening and closing of two lifting doors running in the opposite direction; doors are of similar weight
- Posts preferably made of profile 45x90 or 90x90. The lateral profiles of the doors preferably made of profile 90x32 or 45x90 guided in the mullion by means of sliding roller elements

Assembly

- Attachment to the stand profile with 2 terminal strips 90 **part no. 211029/0**
- Chain 04 **part no. 211713/0** insert in diversion, with chain clamping door **part no. 211712/0** attach to the two doors and insert in the stand profiles
- Chain is guided in the profile groove, thus no hand-protection is required