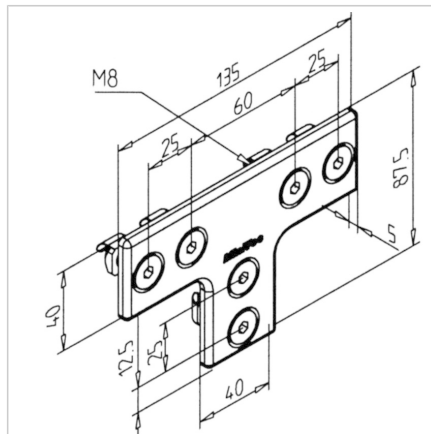


## T - PLATE VA

Code: 210019/0

T-sheet made of stainless steel for strong and reliable reinforcement of aluminium constructions - suitable for various assemblies.

[Link to the product →](#)



### Technical data/items supplied

- Stainless steel, blasted
- With fixing material, stainless steel
- Weight = 0.259 kg/piece

### Applications

- Strengthening of profile constructions

### Assembly

- Attach to the profile with supplied hardware
- Use power-lock fasteners if tractive forces appear