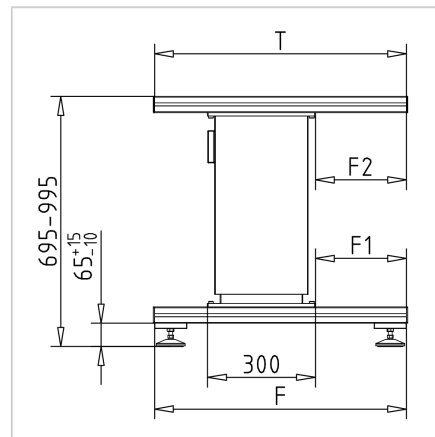
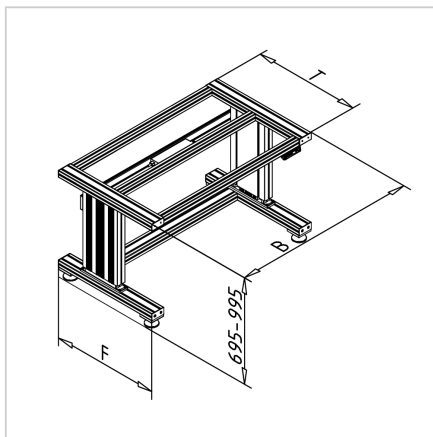


TABLE VARIABLE ELECTR. HEIGHT ADJUSTABLE STROKE 300

Code: 320172/0

Electrically height-adjustable table with 300 mm stroke for flexible height and efficient production automation.

[Link to the product →](#)



Technical data/items supplied

- Aluminium, anodized E6/EV1
- Basic frame, profile 45 x 45 F and 45 x 90 F, anodized E6/EV1
- Frame mounted with MiniTec power-lock fasteners
- Feet PA as floor leveling - with spindle M10 and plate Ø80 - height adjustable
- Operation via manual switch with 3-digit display, 2 buttons for up/down function and 4 storable positions
- Maximum lifting speed: 9 mm/s
- **Please specify the required dimensions W, D, F, F1 and F2.**
- Supplied without tabletop and associated mounting bracket
- On request:
 - Higher loads
 - Multiple lift pillars
 - ESD or conductive version