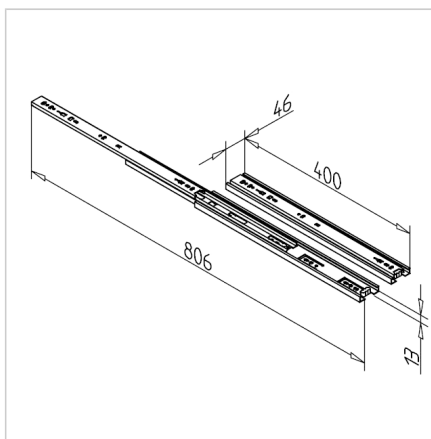


TELESCOPIC GUIDE FULL PULL-OUT MOUNTING LENGTH 400 MM; PULL-OUT 406 MM

Code: 320801/0

Telescopic rail ensures smooth and quiet drawer opening and closing for reliable and long-lasting use.

[Link to the product →](#)



Technical data/items supplied

- Steel, galvanized
- Latching in retracted and extended position
- Max. load capacity per compartment 35kg
- Mounting length 400 mm, pull-out length 406 mm
- **Other lengths on request**
- Items supplied: 2 pieces
- Weight = 1.225 kg/pair

Applications

- Extension of drawer using ball guide
- Extension of workpiece holders

Assembly

- Fasten to the side of drawers and profile