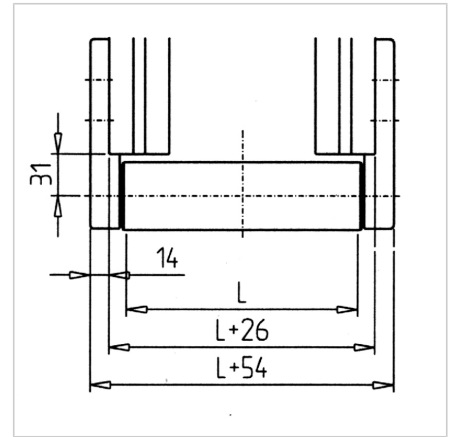
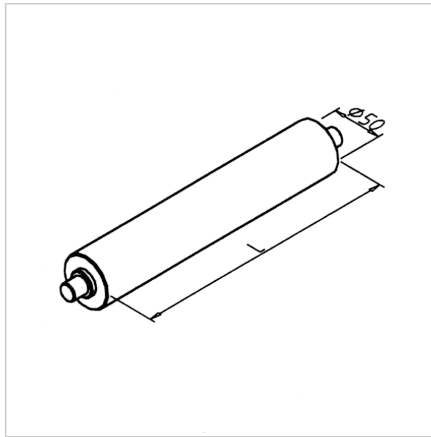


## TENSION DRUM 45AL L (BELT WIDTH) = MM

Code: 210994/0

Drive roller ensures smooth belt rotation, reduces wear, and provides reliable, uninterrupted material movement along the line.

[Link to the product →](#)



### Technical data/items supplied

- Aluminium