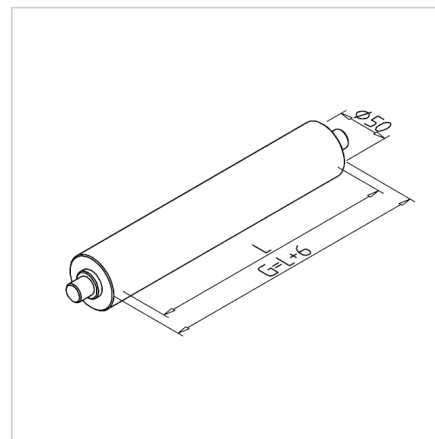
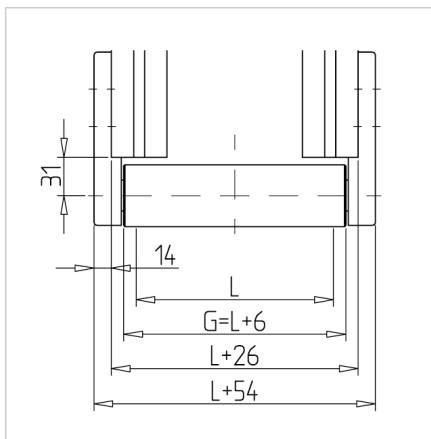


TENSION DRUM 45ST L (BELT WIDTH) = MM

Code: 210994/1

[Link to the product →](#)



Technical data/items supplied

- Stainless steel
- Turned round
- **Please specify dimension L (belt width)**
- **Attention: L is not the external dimensions(G) of the conveyor $\varnothing 50$**
- Weight = (basic weight) 0.186 kg
- Extra weight = 1.541 kg/100mm belt width

Applications

- MiniTec belt conveyor system
- Suitable for conveyor bearing, e.g. **part no. 210993/0**
- On request we can deliver the conveyor with mounted ball bearings. The bearings are gentle on material, hot pressed. Please additionally following **part no. 21.0901/0** order.

Assembly

- Insert the axes into the bore of the conveyor bearing
- The drum is guided axially by the self-aligning bearing
- The self-aligning bearing compensates for small misalignments