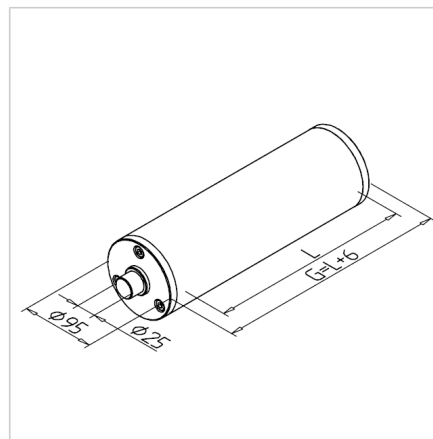
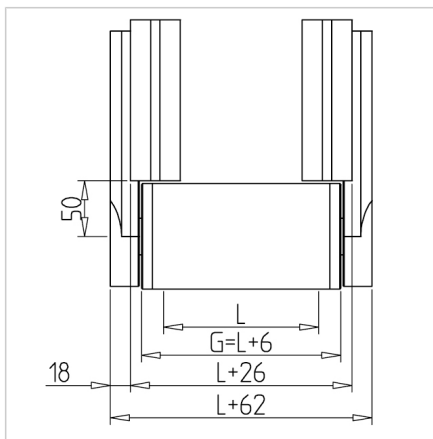


TENSION DRUM 90

Code: 210982/0

[Link to the product →](#)



Technical data/items supplied

- Aluminium with shaft made of steel
- Turned round
- Shaft journal \varnothing 25 mm
- **Please specify dimension L (belt width)**
- **Attention: L is not the outer diameter of the conveyor \varnothing 95**
- Weight = (basic weight) 0.465 kg
- Extra weight = 1.506 kg/100 mm belt width

Applications

- MiniTec belt conveyor system
- Fitting conveyor bearing **part no. 210985/0**
- Upon request, we can supply the conveyor with mounted ball bearings. The bearings are hot pressed in a material-friendly manner. In addition, please order the following **part no. 21.0903/0**

Assembly

- Insert axes in the bore of the self-aligning bearings of the conveyor bearing
- The drum is guided axially by the self-aligning bearing
- The self-aligning bearing compensates for small misalignments