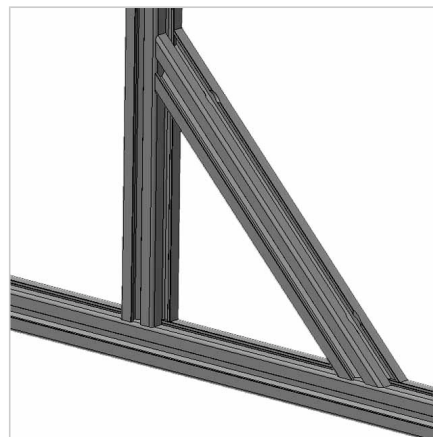
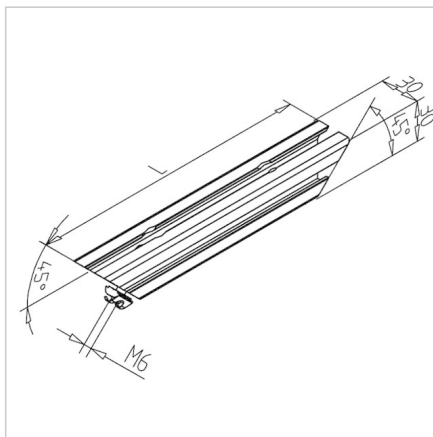


TENSIONING ELEMENT 30X30 L=300 MM

Code: 212110/0

Strengthening element for improved stability of aluminium constructions series 30 with truss-based extensions.

[Link to the product →](#)



Technical data/items supplied

- Aluminium, anodized E6/EV1
- Length (l) : 300 mm
- Profile 30 x 30, ready for use
- Both ends cut at 45° with counter-bores for fastening kit
- With fastening material steel, zinc plated
- **Other lengths and versions under part no. 212110/5 on request**
- Weight = 0.212 kg/piece

Applications

- Reinforcement of profiled superstructures according to the principle of truss construction

Assembly

- Screw on the profile groove of the frame construction with supplied hardware