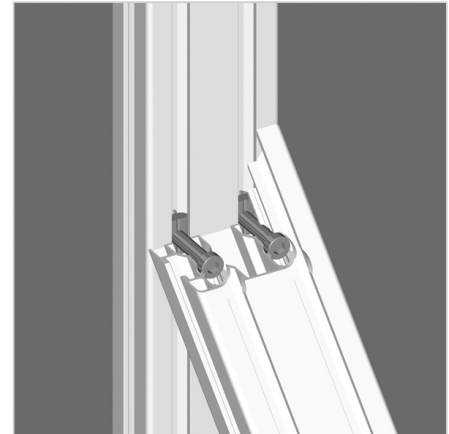
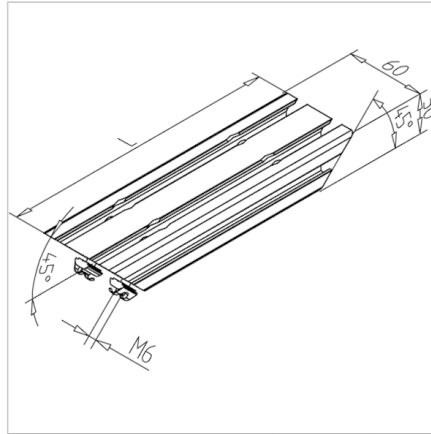


TENSIONING ELEMENT 30X60 L=300 MM

Code: 212210/0

Strengthening element for precise and strong stabilisation of aluminium structures, custom-made in length and angle.

[Link to the product →](#)



Technical data/items supplied

- Aluminium, anodized E6/EV1
- Length (l) : 300 mm
- Profile 30 x 60, ready for use
- Both ends cut at 45° with counter-bores for fastening kit
- With fastening material steel, zinc plated
- **Other lengths and designs under part no. 212210/5 on request**
- Weight = 0.338 kg/piece

Applications

- Reinforcement of profiled superstructures according to the principle of truss construction

Assembly

- Screw on the profile groove of the frame construction with supplied hardware