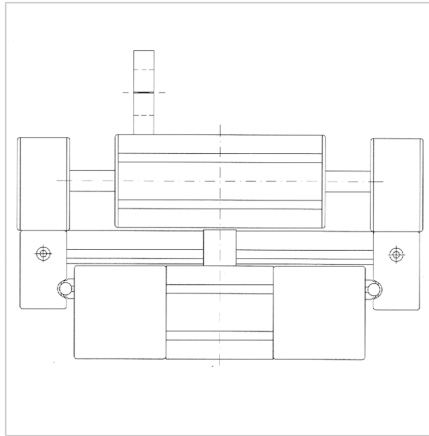
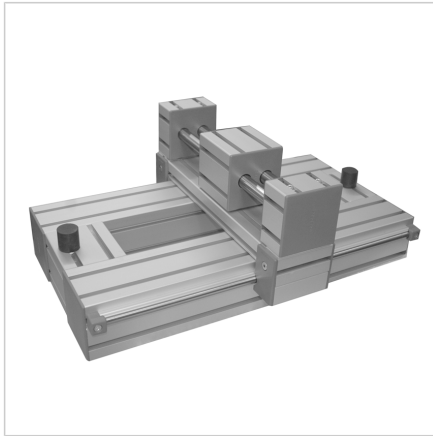


THREAD FORMING AND DRILLING MACHINE 1

Code: 261970/0

[Link to the product →](#)



Technical data/items supplied

- Made of MiniTec aluminium profiles
- Two-axis slides with machine holder for thread cutting or drilling machines with spindle neck \varnothing 43 mm
- Complete with underframe
- Without machine
- Weight = 16.000 kg/piece

Applications

- Rational thread production
- Efficient counter-boring or drilling of the central bore
- Can be delivered with 1 - 4 slides for up to 4 machines