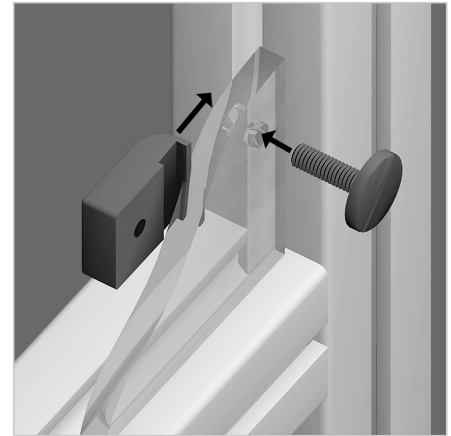
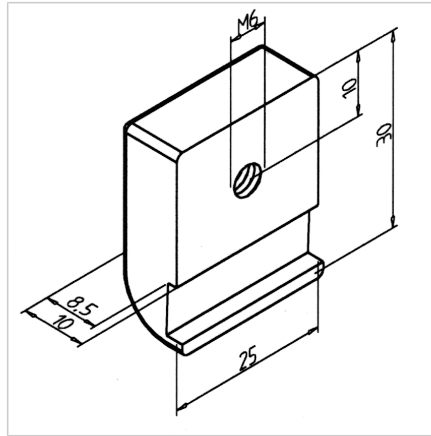


## THREAD SOCKET GD

Code: 211117/1

[Link to the product →](#)



### Technical data/items supplied

- Aluminium, Pressure die-casting, powder-coated, grey
- Without pan head screw
- Weight = 0.018 kg/piece

### Applications

- Fix surface elements in profile frames
- Table tops

### Assembly

- Insert the thread socket into profile groove
- Fix element with screws M6 or flat head screw
- Distance from edge of the thread: 10 mm