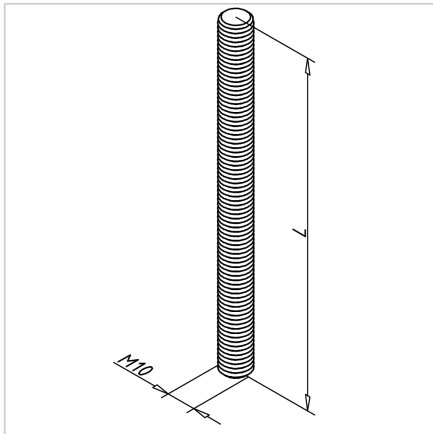


THREADED BAR M10, 8.8 GALVANISED LENGTH 2 M

Code: 211667/0

M10 threaded rod, galvanized and grade 8.8, 2 meters long, perfect for durable and reliable connections in industrial and aluminum constructions.

[Link to the product →](#)



Technical data/items supplied

- Steel, galvanized
- Weight = 0.490 kg/m