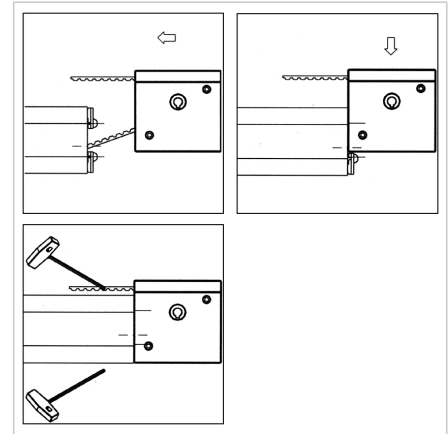
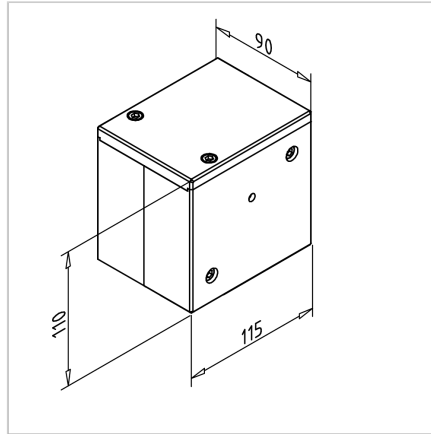


## TIMING BELT PULLEY T90 STAINLESS

Code: 280045/0

Timing belt end piece T90 stainless for precise and reliable motion transmission in linear guides.

[Link to the product →](#)



### Technical data/items supplied

- Housing 3-piece, anodized aluminum
- Connecting elements in stainless steel
- Aluminum pulley with stainless steel flanges for timing belt 32AT10  
19 teeth, effective diameter 60.48 mm  
Required toothed belt length within the deflection 210 mm  
max. torque 130 Nm
- 2 ball-bearings
- Weight = 2.800 kg/piece

### Applications

- All MiniTec linear guides

### Assembly

- Make thread M8 in both ends of the rail, screw in power-lock fastener **part. no.** [211018/1](#)
- Guide the timing belt through the reverse unit
- Insert pulley unit from top
- Tighten power-lock fastener
- Tighten the timing belt