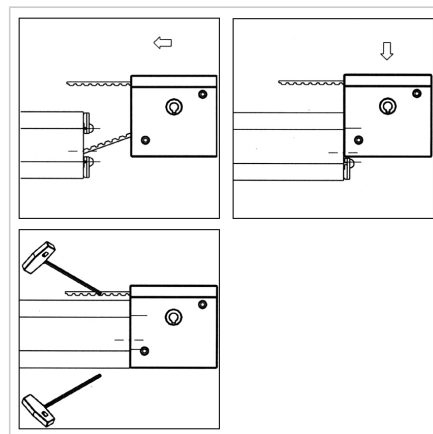
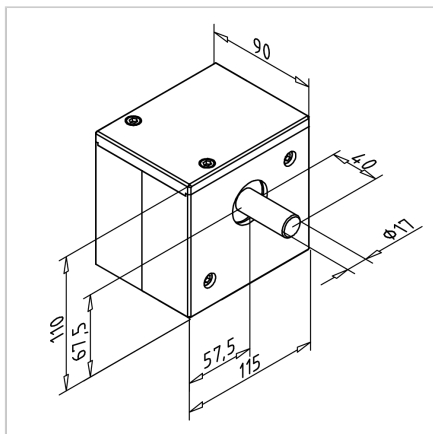


TIMING BELT PULLEY T90Z STAINLESS

Code: 280045/1

Timing belt end piece T90 Z stainless for precise and reliable motion transmission in linear guides.

[Link to the product →](#)



Technical data/items supplied

- Housing 3-piece, anodized aluminum
- Connecting elements in stainless steel
- Aluminum pulley with stainless steel flanges for timing belt 32AT10 19 teeth, effective diameter 60.48 mm
Required toothed belt length within the deflection 210 mm
max. torque 130 Nm
- Base body complete with belt pulley and shaft stub
- Drive taps also available in different diameters, lengths and with keyways
- 2 ball-bearings
- Weight = 2.850 kg/piece

Applications

- All MiniTec linear guides

Assembly

- Make thread M8 in both ends of the rail, screw in power-lock fastener **part. no. 2111018/1**
- Guide the timing belt through the reverse unit
- Insert pulley unit from top
- Tighten power-lock fastener
- Tighten the timing belt