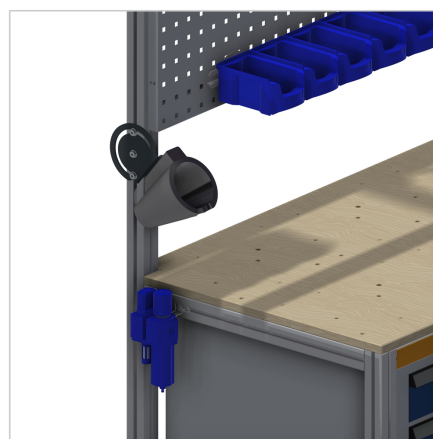
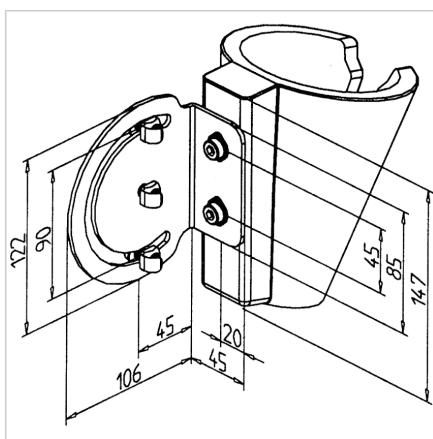
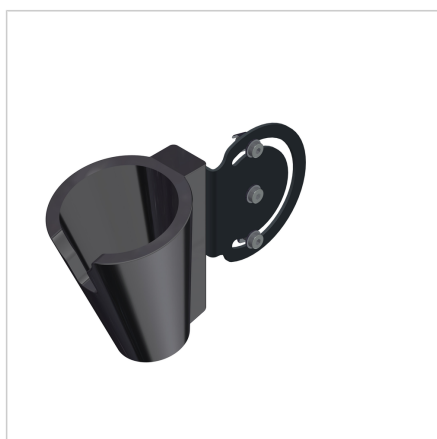


TOOL CASE S AS SET

Code: 263001/0

Tool holder S provides secure storage for drills, battery-operated screwdrivers, and other tools with adjustable angle for easy access.

[Link to the product →](#)



Technical data/items supplied

- Tool quiver, rubber, black
- Swivel bracket, steel, grey, powder-coated
- With fastening material steel, zinc plated
- Weight = 0.830 kg/piece

Applications

- For secure storage of drills, battery-operated screwdrivers and other tools
- Adjustable angle

Assembly

- Fasten to the profile brace with supplied hardware
- The swivel bracket is enclosed as a loose item, can be fixed in the left or right version on assembly