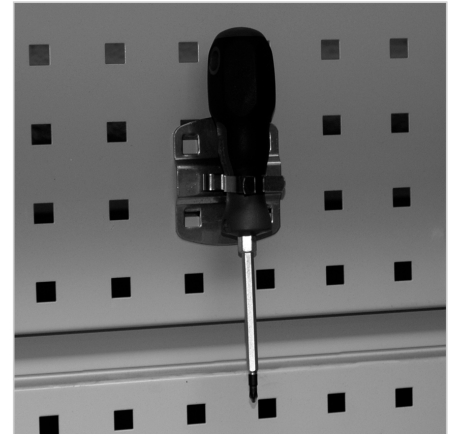
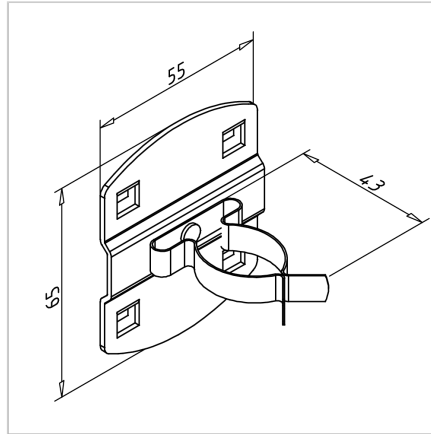
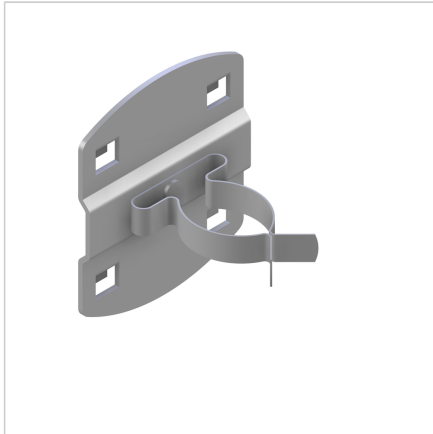


## TOOL CLAMP SIMPLE, LARGE BASE PLATE

Code: 320528/0

Tool clamp holder provides secure attachment, quick access, and organized storage for different types of tools.

[Link to the product →](#)



### Technical data/items supplied

- Steel, Pressure die-casting, powder-coated, grey
- Aluminum colored
- Impact and scratch resistant plastic coating
- Individually packaged incl. screws
- Weight = 0.063 kg/piece

### Applications

- For tools and cylindrical parts with a  $\varnothing$  of approx. 18-26 mm

### Assembly

- Hook in the carrier plate and secure with the enclosed screw