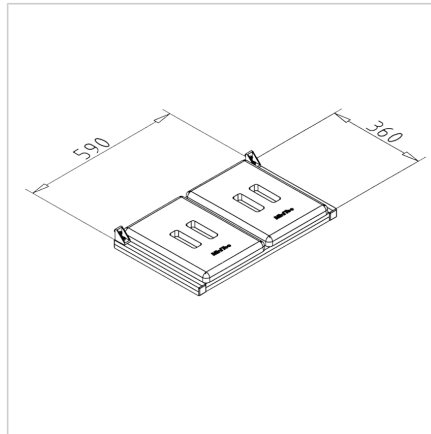


TOOL COLLECTOR ATTACHMENT

Code: 320024/0

Waste separation bin ensures easy tidiness, clear sorting of waste, and contributes to an ergonomic and organized workspace.

[Link to the product →](#)



Technical data/items supplied

- Frame made of profile 30 x 30, anodized E6 / EV1
- 2 covers ABS, grey
- 2 mounting angles 25
- Weight = 1.915 kg/piece

Applications

- For separate collection of 2 kinds of recyclable materials
- Just put plastic bags over the screw heads

Assembly

- Attach to profile frame with fastening materials included