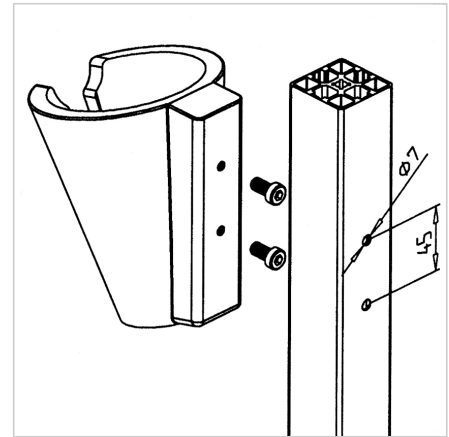
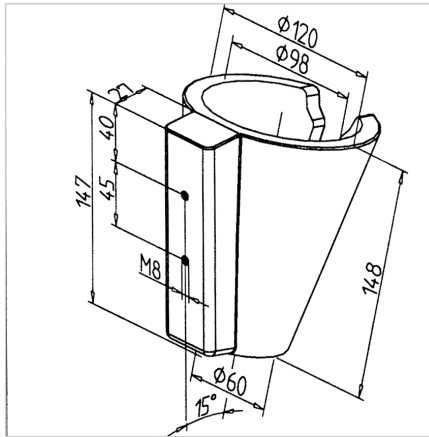
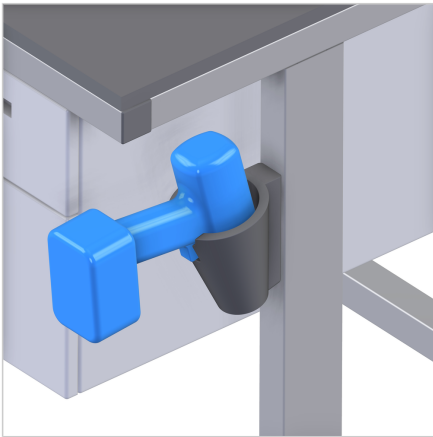


TOOL HANGER S SINGLE PIECE

Code: 263001/1

Tool Case S provides organized storage for accessories, protects tools from damage, and maximizes workspace efficiency.

[Link to the product →](#)



Technical data/items supplied

- Rubber, black
- Weight = 0.612 kg/piece

Applications

- For secure storage of drills, battery-operated screwdrivers and other tools

Assembly

- Drill 2 bores $\varnothing 7$ mm, distance of 45 into profile
- Fasten with screws M8 x 16