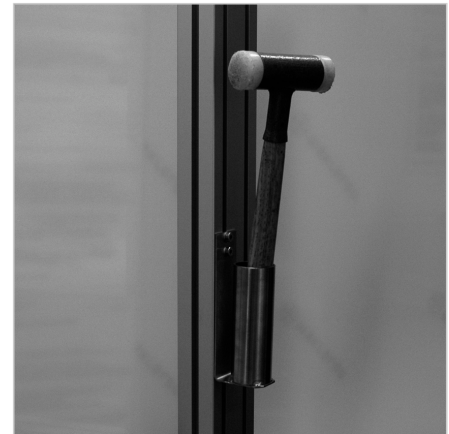
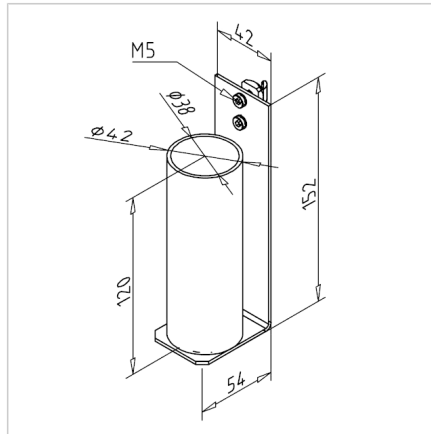


## TOOL HOLDER ROUND D38 - 120

Code: 320536/0

Tool holder 38-120 stores tools, pins, and accessories with an adjustable angle for easy access and better workspace organization.

[Link to the product →](#)



### Technical data/items supplied

- Stainless steel
- Material V2A, polished
- Fastening kit
- Square nut Z, ESD capable
- Weight = 0.402 kg/piece

### Applications

- Tool holder for storage of tools, pins, etc.
- Adjustable angle

### Assembly

- Attach with fastening kit from items supplied to profile strut