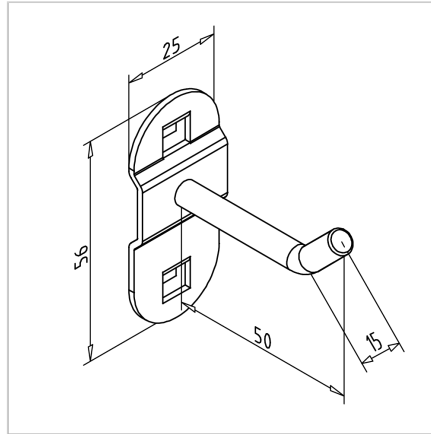
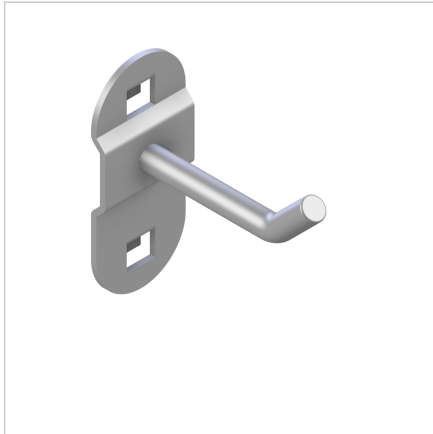


TOOL HOLDER WITH VERTICAL HOOK END, L = 50 MM

Code: 320527/0

Tool holder ensures stable tool placement and helps keep the workbench organized and tidy.

[Link to the product →](#)



Technical data/items supplied

- Steel, Pressure die-casting, powder-coated, grey
- Aluminum colored
- Hook Ø 6.3mm
- Impact and scratch resistant plastic coating
- Individually packaged incl. screws
- Weight = 0.033 kg/piece

Applications

- Provision of tools at workplace

Assembly

- Hook in the carrier plate and secure with the enclosed screw