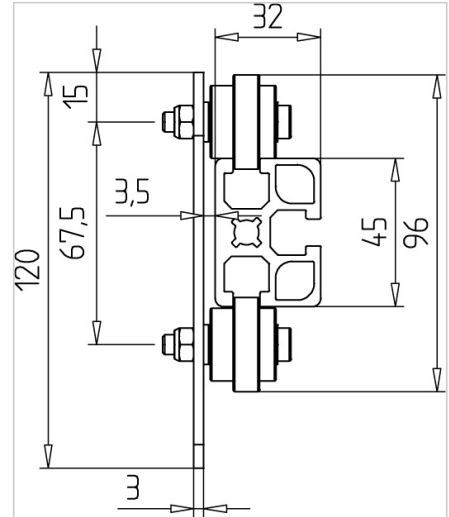
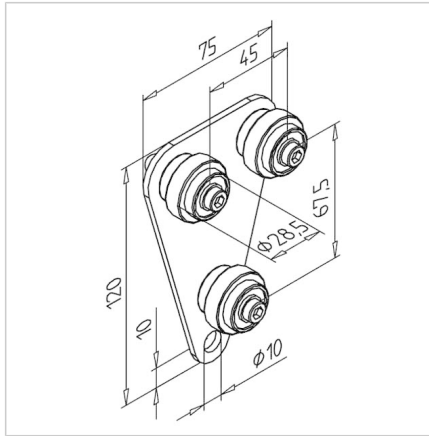


TOOL SLIDE

Code: 320545/0

[Link to the product →](#)



Technical data/items supplied

- Stainless steel
- Caster wheel ABS grey
- Load capacity F: 400 N
- Weight = 0.263 kg/piece

Applications

- For guiding of tools on working tables

Assembly

- Slide into profile end
- Possibly before disassembly of the lower roller
- Can be used in connection with balancer, **part no. 290111/0**