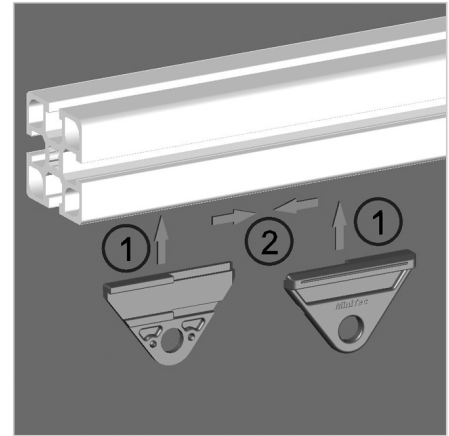
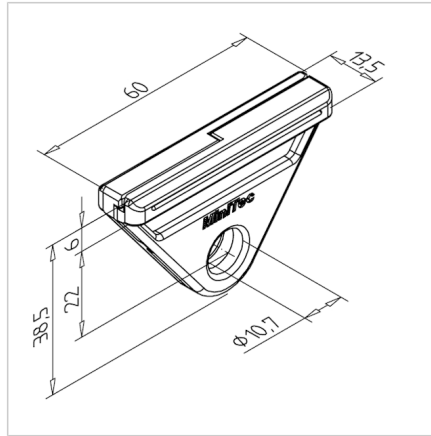


TOOL SLIDER H

Code: 221213/0

[Link to the product →](#)



Technical data/items supplied

- ABS, Injection Mould, grey
- Load capacity up to 600 N, static
- Weight = 0.010 kg/piece

Applications

- Tools hung up ergonomically
- Suitable for all 45er profiles
- Where jobs involve using handtools, a max. load of 20 kg should not be exceeded

Assembly

- Can be inserted later, an open profile end is not required
- insert both halves in profile groove and press together