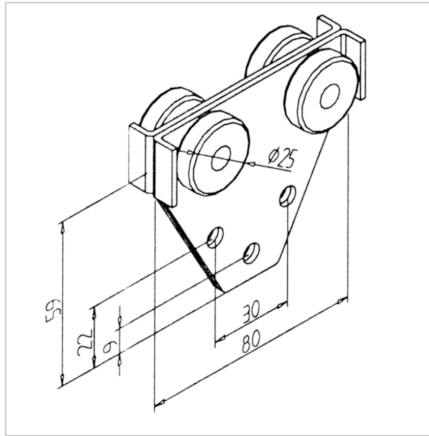
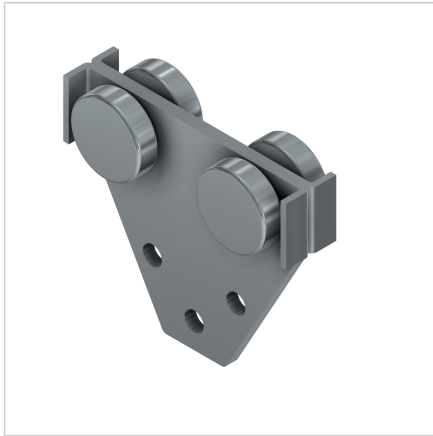


TOOL TROLLEY C-RAIL 30

Code: 320224/0

[Link to the product →](#)



Technical data/items supplied

- Steel, galvanized
- 4 rollers, zinc plated, ball bearings sealed on both sides
- ESD-compatible
- Load capacity: 16 kg
- Weight = 0.210 kg/piece

Applications

- Suspension of tools in the work area

Assembly

- Push into C-section rail, secure ends with limit stop