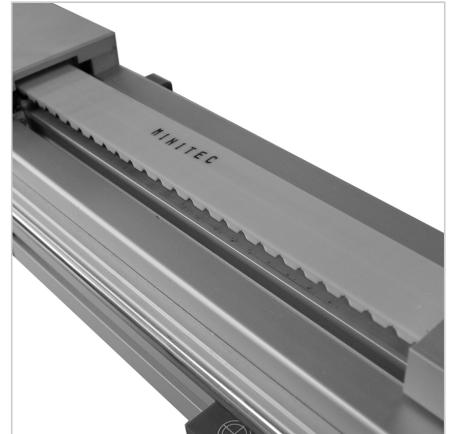
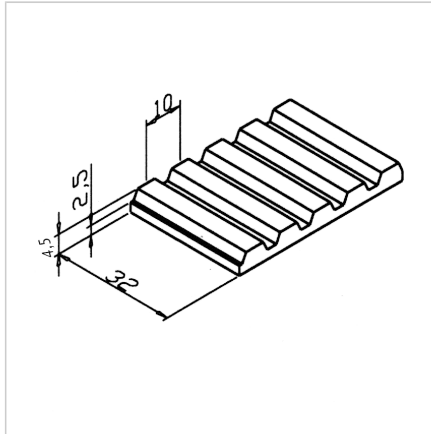


TOOTH BELT 32 AT 10

Code: 280093/0

Timing belt 32 AT 10 for precise and reliable motion transmission in linear guides and other mechanical systems.

[Link to the product →](#)



Technical data/items supplied

- PUR white, steel-wire reinforced
- Type 32 AT 10
- Load capacity up to 4750 N
- Weight = 0.190 kg/m

Applications

- For MiniTec-Linear guides LR 12 and LR 16
- Belt conveyors

Assembly

- Attach the timing belt in the appropriate length to the belt tensioner