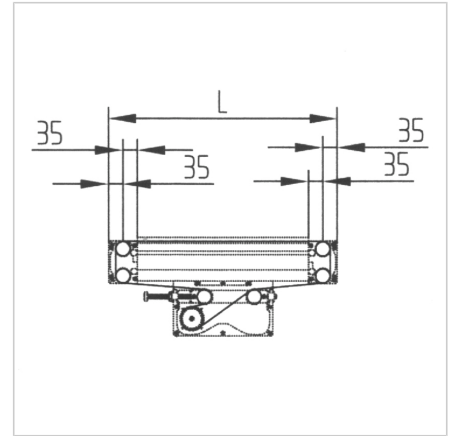
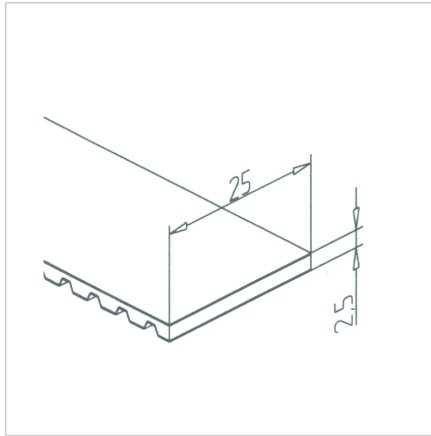
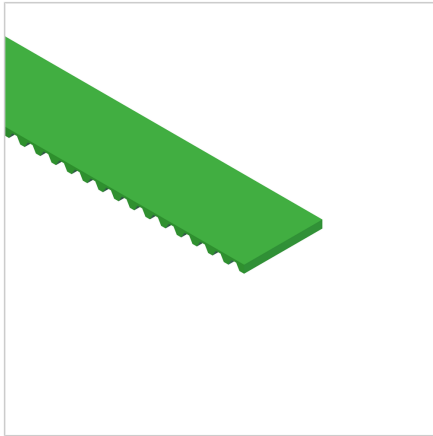


## TOOTH BELT - TSG ENDLESS WELDED

Code: 431411/0

[Link to the product →](#)



### Technical data/items supplied

- Endless belts, reinforced with steel inlay
- Covered with plastic fabric on both sides to improve sliding characteristics and reduce friction
- Colour: green
- **When ordering spare parts, specify total length**
- Weight = 0.055 kg/m

### Applications

- All transfer systems TSG
- Calculation formula for timing belt length:  
(Timing belt included in scope of supply)  
Timing belt length  $(L - 70) \times 2 + 473$  mm  
round up to 5 mm pitch

### Assembly

- Remove belt cover (clip lock)
- Remove cover of drive unit and timing belt reverse units
- Insert belt
- Mount cover and belt cover
- Tighten the timing belt