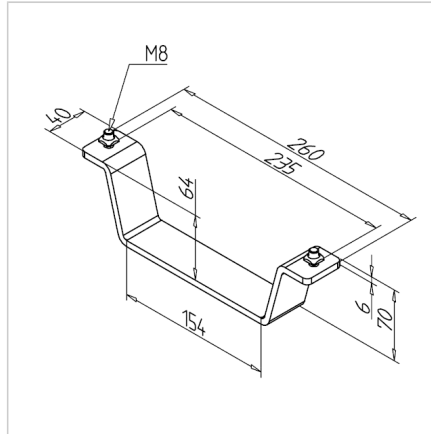
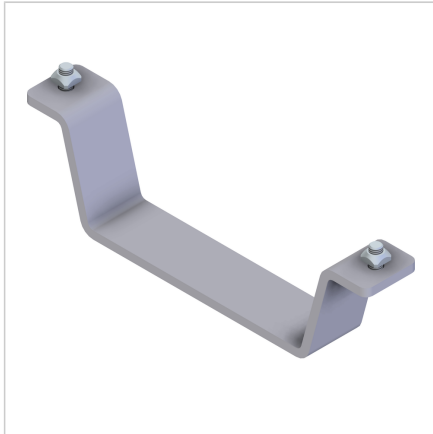


TRANSPORT AID

Code: 261101/0

Steel transport handle ensures easy and safe handling of aluminium constructions, especially during forklift operation.

[Link to the product →](#)



Technical data/items supplied

- Steel, galvanized
- With fastening material steel, zinc plated
- Weight = 0.708 kg/piece

Applications

- Securing of constructions when transported by forklift truck

Assembly

- Mount under construction with fastening material from the scope of supply to the profile groove
- Use always in pairs