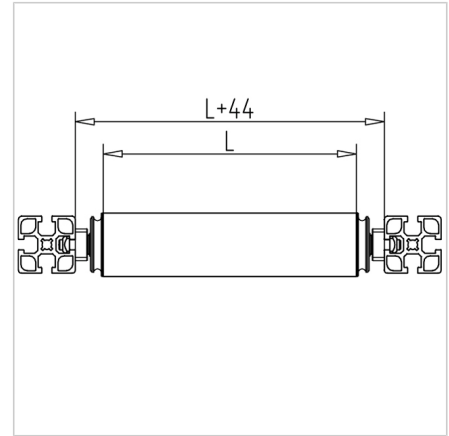
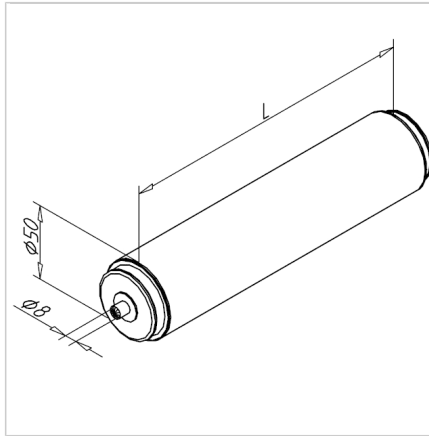
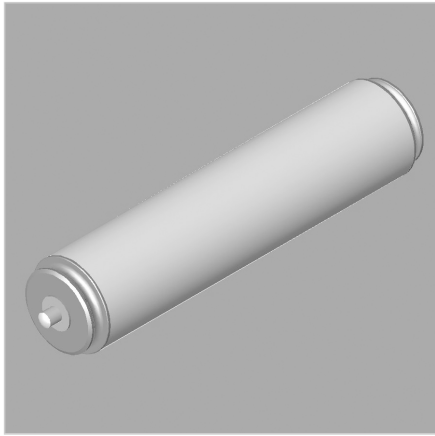


TRANSPORT ROLLER PVC 50-36 TUBE

Code: 211717/0

[Link to the product →](#)



Technical data/items supplied

- Completely assembled conveyor roller with grey ABS tube
- Load/roller max. 20 kg
- **Please specify dimension L** (pipe length)
- On request also available with anodized aluminum tube or stainless steel tube

Applications

- Production of roller conveyors with or without drive
- When requesting high concentricity, the conveyor roller AL is to be preferred

Assembly

- Simply attach roller carrier and insert in profile groove
- Use with roller carrier 36 **part no.** [221190/0](#)