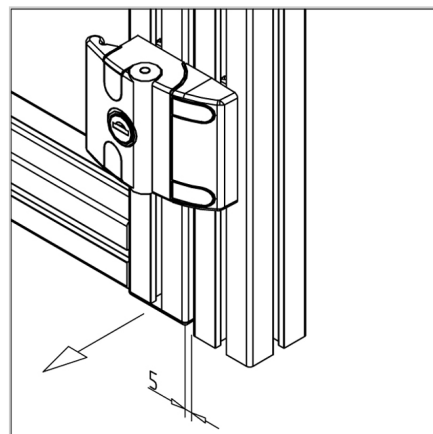
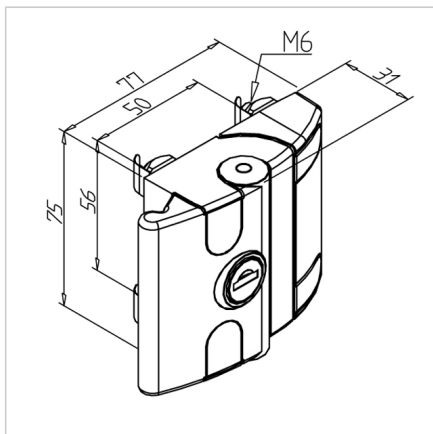


TRUNK LOCK COMPACT

Code: 212311/0

Compact lock for protective enclosures with secure locking, mechanical support, and suitable for frameless doors.

[Link to the product →](#)



Technical data/items supplied

- Zinc, Pressure die-casting, powder-coated, black
- With fastening material steel, zinc plated
- Locking cylinder with two keys
- Weight = 0.255 kg/piece

Applications

- Locking and securing of doors and panels in protective housings
- Door stop at the same time
- Also suitable for frameless doors
- Closed trunk can not be removed

Assembly

- Mount the latch lock to the door and posts and fit the screw cover
- No machining of the profile is necessary for assembly
- Due to elongated holes, the screw spacing is variably adjustable from min. 38 mm to max. 58 mm, therefore the door gap can be adjusted accordingly