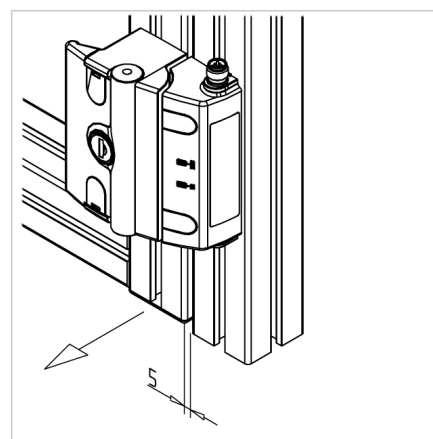
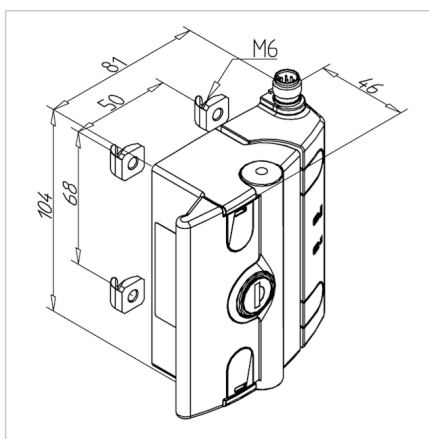


TRUNK LOCK WITH REQUEST-P

Code: 212323/0

Safety lock for doors and hatches with transponder tech (Cat. 4/PLe). Enables locking, monitoring, and mechanical support.

[Link to the product →](#)



Technical data/items supplied

- Zinc, Pressure die-casting, powder-coated, black
- With fastening material steel, zinc plated
- Locking cylinder with two keys
- Reliability values according to EN ISO 13849-1 category 4 performance Level PLe
- Operating voltage DC24V ±15%
- 2 safety outputs, p-switching, short-circuit protected
- Connection type M12, 8-pin
- UL-approved
- Weight = 0.448 kg/piece

Applications

- Locking and securing of doors and hatches Cat. 4/PLe thanks to integrated transponder coded technology
- Door stop at the same time
- Closed trunk can not be removed

Assembly

- Mount the latch lock to the door and posts and fit the screw cover
- Electrical connection can also be installed at the bottom
- No machining of the profile is necessary for assembly
- Suitable connecting cables on request