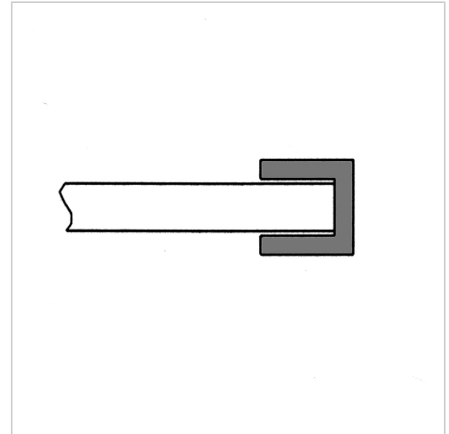
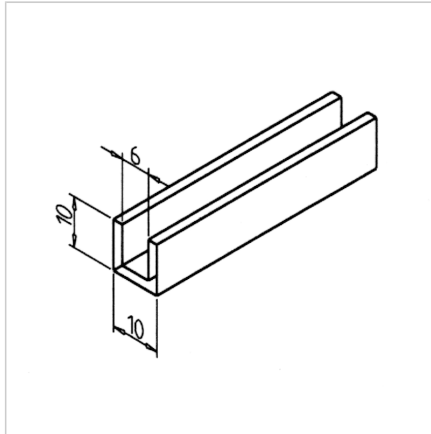
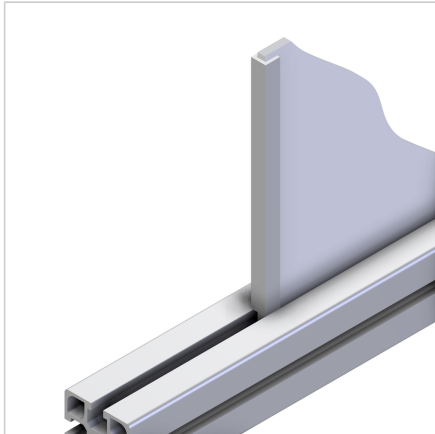


U-PROFILE 10 X 10 X 2

Code: 211002/0

Aluminium U profile 10 mm for fitting 5 mm thick panels, ideal for surface elements in aluminium constructions.

[Link to the product →](#)



Technical data/items supplied

- Aluminium, extruded, anodized E6/EV1
- Weight = 0.150 kg/m
- Bar length = 6 m

Applications

- Fitting panels, for surface elements of 5 mm thickness

Assembly

- Glue on edges of surface elements with suitable adhesive